

site watch



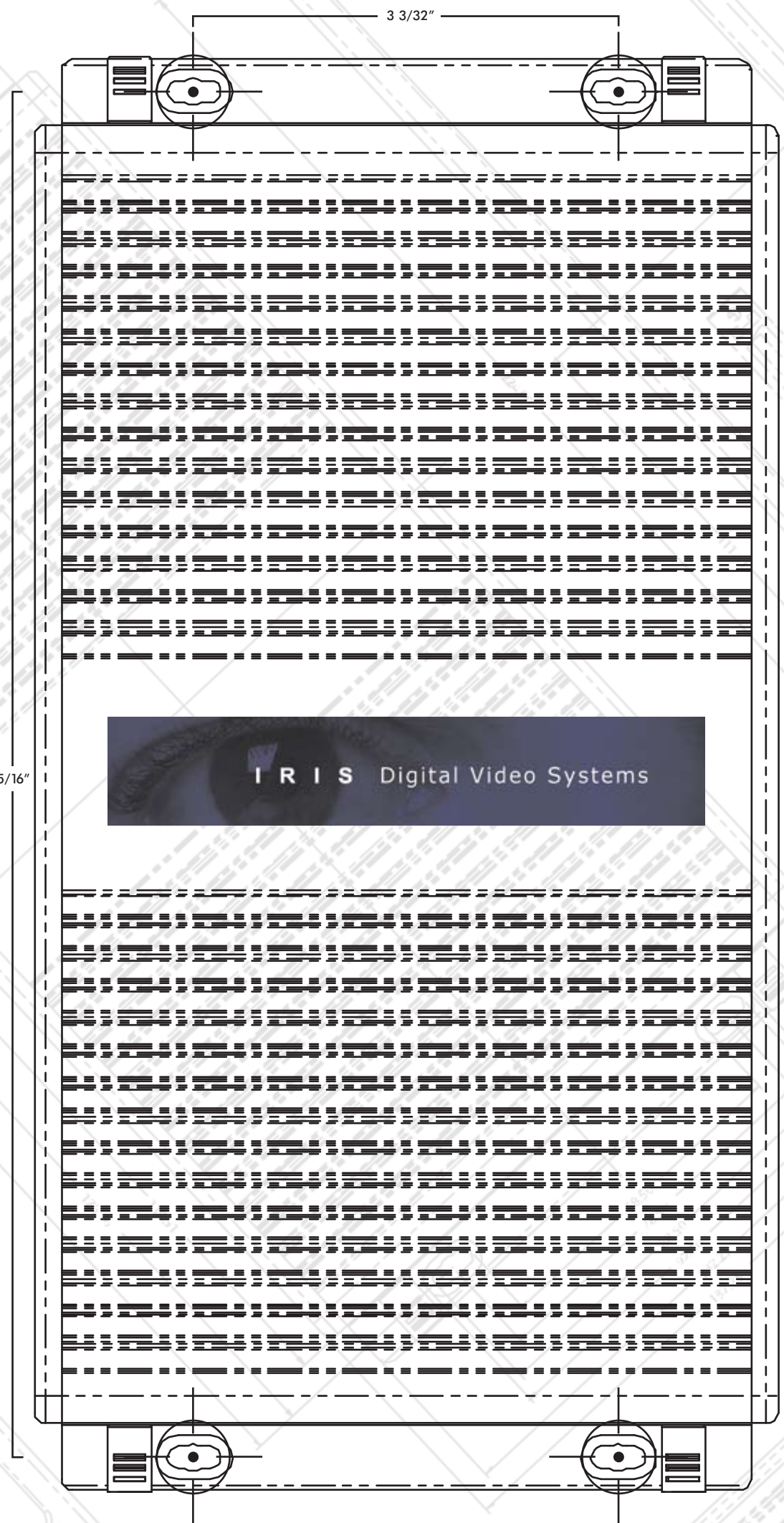
quick
reference
guide

www.iris-dvs.com



Template

Note: This template is to be used for the purpose of mounting the product.



For SiteWatch Technical Assistance Call:
IRIS Digital Video Systems
8:30am - 5:00pm CST
888.451.4646

www.iris-dvs.com

Factory Pre-programming

This SiteWatch may have been configured at the factory.
Do not change settings unless adding camera(s).

IRIS SiteWatch Installation Steps

- Review IRIS SiteWatch Quick Reference Guide (QRG)
- Review contents of SiteWatch Kit
- If needed, program Cameras with I.P. address, password, log-on, and resolution
- Mount SiteWatch & UPS
- Mount Cameras
- Route cabling keeping good installation practices in mind
- Connect UPS to SiteWatch
- Connect cables, power, mouse, keyboard, monitor, network
- Connect Cameras using cross-over cables and couplers
- Connect power to Cameras
- Connect LAN with straight patch cable (CAT 5)
- Power-up UPS and SiteWatch system
- If needed, configure number and type of Cameras, enable SiteWatch ports and remote monitoring
- Enable ATM NightWatch
- Confirm ATM transaction capture
- Set-up new site in IRIS Inquiry
- Train customer on SiteWatch operation
- Verify customer can connect with IRIS Inquiry
- Review content of IRIS Manuals with customer

Default Camera I.P. Addresses

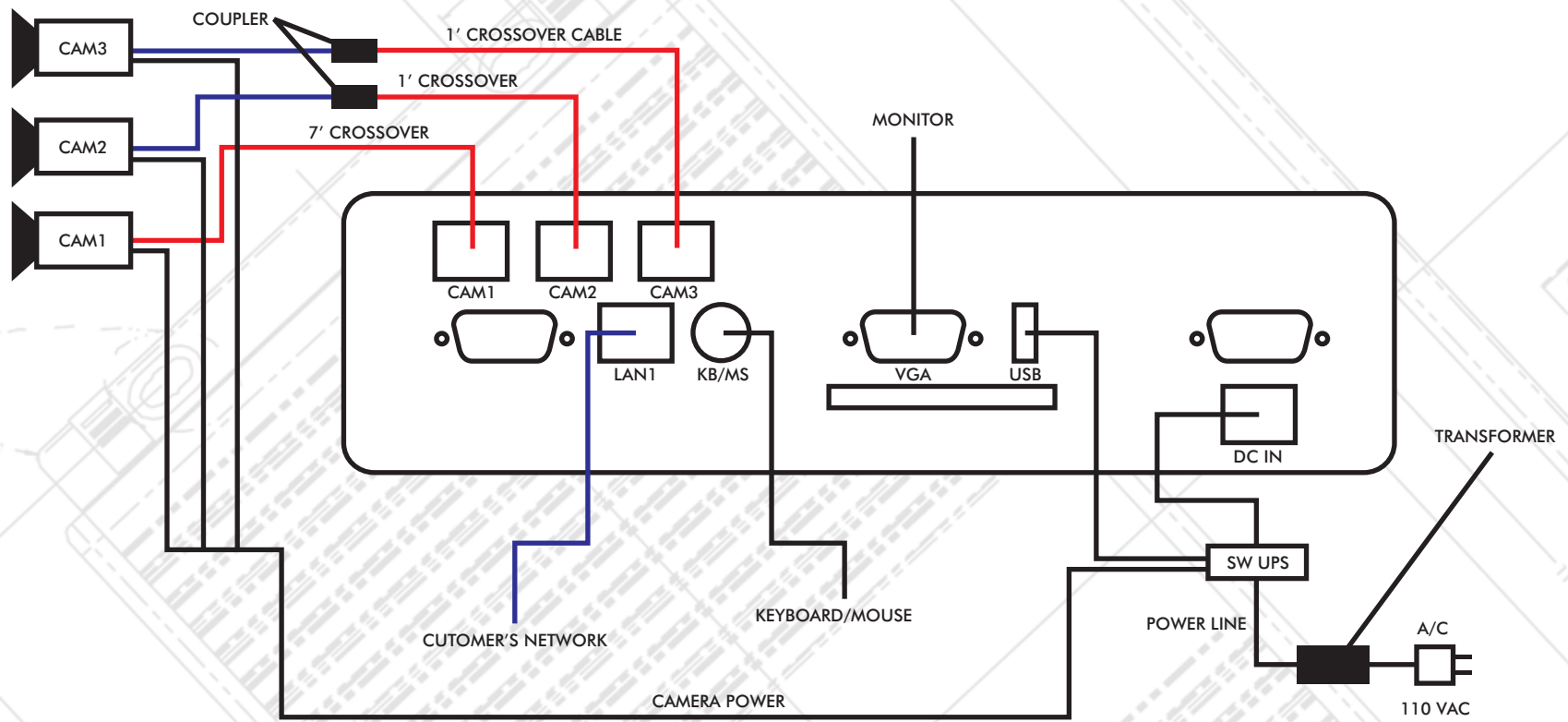
I.P. Camera	I.P. Address	Subnet Mask	Default Gateway*
Camera 1	192.168.2.102	255.255.255.252	192.168.2.101
Camera 2	192.168.2.106	255.255.255.252	192.168.2.105
Camera 3	192.168.2.110	255.255.255.252	192.168.2.109

**Note: Default Gateway on the I.P. Camera should not be set. However, if a Gateway setting is required for the Camera set-up you are using then use the Default Gateway setting as shown above.*

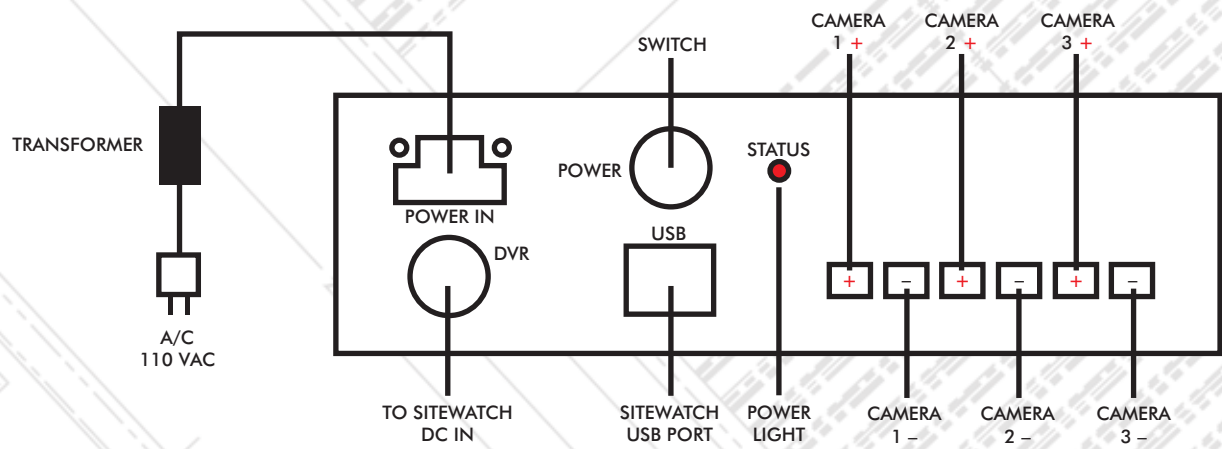
Non-IRIS I.P. Cameras

Please contact the specific manufacturer of non-IRIS cameras with any questions pertaining to camera operation and/or programming.

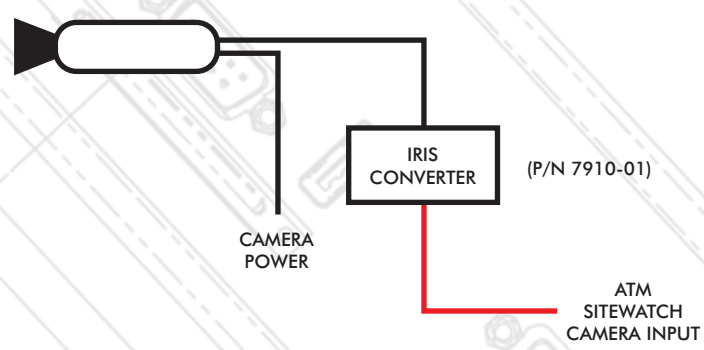
Configuration with I.P. Cameras



SiteWatch UPS



Analog Cameras



UPS Status LED

- Solid - Normal Operation.
- Fast Flash - Battery Charging SiteWatch "OFF". Press Power Switch for immediate "On".
- Slow Flash - Unit operating on Battery.

Required for Installation

- 1 – USB or PS2 Keyboard
- 1 – USB or PS2 Mouse
- 1 – SVGA Monitor

Note: These may be included with this SiteWatch shipment.
Refer to the specific Packing List for this order.

Approved I.P. Cameras

Refer to the enclosed sheet listing the approved cameras for use with the IRIS SiteWatch.

Keep This in Mind

Laptop and Internet connection will be required to program any I.P. Cameras not supplied as part of the original shipment.

Important Information

Any Camera connected to the SiteWatch system must be via a crossover cable (supplied.)

What's in the Box!

- 1 – IRIS SiteWatch Quick Reference Guide
- 1 – IRIS SiteWatch Edge Recorder
- 1 – IRIS SiteWatch UPS with cables
- 1 – Transformer
- 1 – 7' Red Crossover CAT 5e Cable
- 2 – 1' Red Crossover CAT 6 Cable
- 3 – RJ45 Coupler
- 1 – 10' Blue CAT 5 Cable
- 1 – PS2 to PS2 "Y" Adapter for Keyboard / Mouse
- 1 – List of Cameras Approved for SiteWatch Use
- 1 – Pocket Screwdriver
- 1 – CD Containing IRIS Manuals

Note: One or more IRIS Cameras or Converters may be included.
Refer to the specific Packing List for this order.

Before Installation

- Become familiar with all requirements of the installation.
- Verify each I.P. Camera is programmed with I.P. Address, Log-on and Password, JPG format and Resolution

site watch

IRIS Digital Video Systems

10750 Forest Lane, Dallas, Texas 75243

888.451.4646

www.iris-dvs.com



IRIS Digital Video Systems

© April 2010 – The Security Center, Inc., Dallas, Texas.
All Rights Reserved. IRIS is a registered trademark
of The Security Center, Inc.

The IRIS Digital Video System, including software and
hardware, is protected by one or more of the following
U.S. Patents: #5,751,345; #5,751,346; #D356,834;
and #D524,834 and others pending.