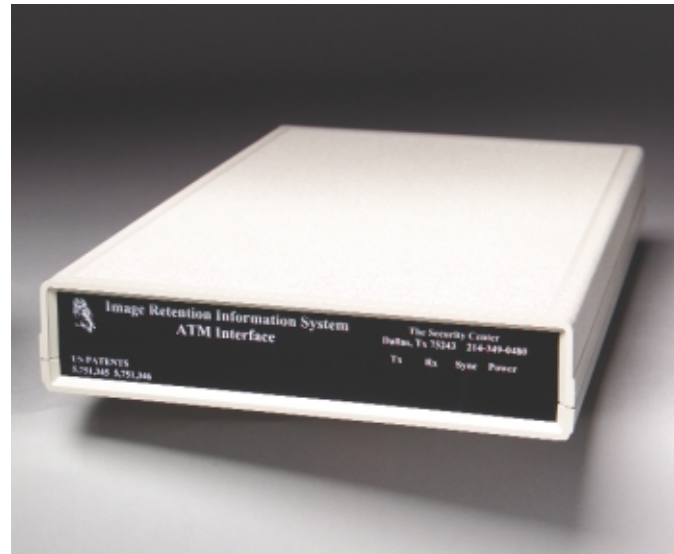


**ADDING
INTELLIGENCE TO
SURVEILLANCE
TECHNOLOGY**

The IRIS® ATM Data Inserter (ATMDI) captures ATM transaction data and, through the DV8 Data and Video Controller, inserts the information into the database associated with the corresponding transaction images. The result is a detailed, comprehensive and irrefutable record of each ATM transaction.

The IRIS ATMDI integrates easily with existing systems, and can be installed without modification to existing ATM hardware or software.

One ATMDI is required for each ATM.



Key Features

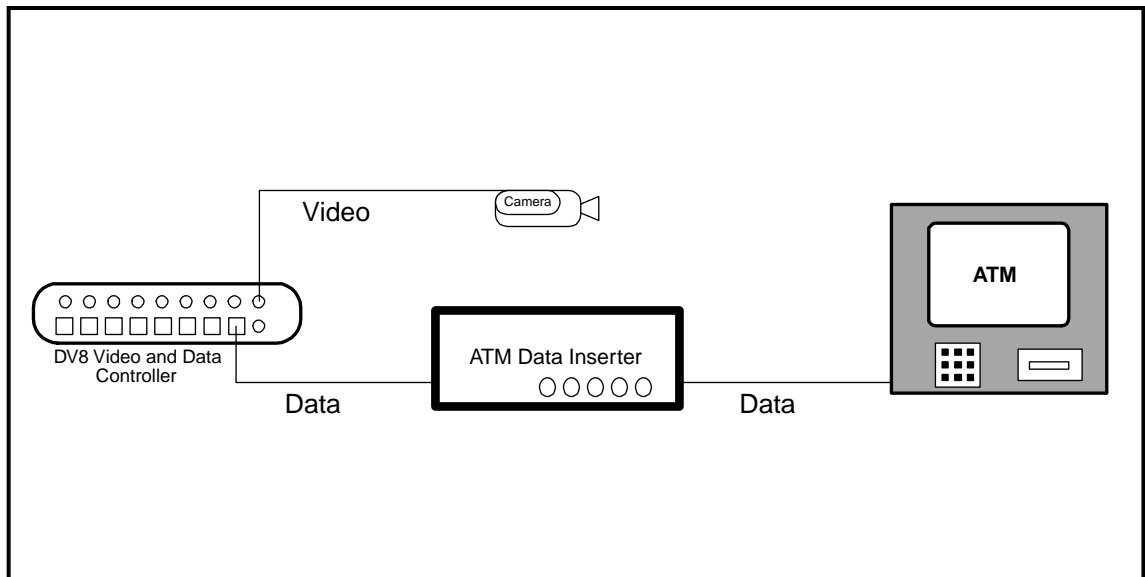
- > Sorts transaction data and/or print field data from ATM
- > Captures all ATM transactions, printed, non-printed and failed transactions
- > Inserts ATM data corresponding with each image
- > Protects your ATM network with optical and galvanic isolation
- > Provides a one way data link to IRIS DVS
- > Galvanic and optical isolation circuits protect customer transaction systems from any interference from the IRIS DVS
- > Protects ATM network from any connection to IRIS DVS; impossible to read or write data to ATM network
- > Works with network or dial-up systems
- > Integrates easily with existing ATM systems without modifying hardware or software
- > Secures and isolates ATM data from PC interference
- > Manages ATM manufacturers' protocols automatically
- > Accommodates NCR and DBD ATMs with native protocol, as well as TCP/IP native protocol ATMs
 - Asynchronous/RS-232
 - Bi-synchronous
 - HDLC
 - SDLC/NRZ
 - SDLC/NRZI
- > Embedded operating kernel



With its unique, intuitive data interface, the ATM Data Inserter is easily integrated with an ATM and the DV8 Controller.

Number	Model	Remarks
103-01	ATM Data Inserter	One required for each ATM

IRIS Digital Video Systems
10750 Forest Lane
Dallas, Texas 75243
(888) 451-4646
Fax (214) 349-0482
www.DigitalVideocc.tv



Specifications

Data Input	1 Serial, 1 Bi-synchronous (DB-25 connector)
Data Output	1 RJ-45; RS-422
Cable Run	1500 ft. maximum with Cat 5 cable
Power Requirement	120V AC, 50/60 Hz, 9V DC, transformer supplied
Circuit	Surface applied to reduce crosstalk below -40dB for data isolation
Operating Range	-5 to +40C, RH less than 85%, no condensation
Dimensions	1.625" H x 6.375" W x 9.5" D
Isolation	Galvanic Optical