

**ADDING
INTELLIGENCE TO
SURVEILLANCE
TECHNOLOGY**

The IRIS® Transaction Data Inserter (TDI) captures and sends transaction data to the D8 Data Controller, to be linked and indexed to the corresponding video images of the transaction. One TDI is required for each transaction system to be interfaced with the IRIS DVS. The unit can be located up to 1500 feet from the transaction point, for exceptional installation flexibility and service convenience.

The unit also serves as a secure, one way link to the IRIS DVS Server.



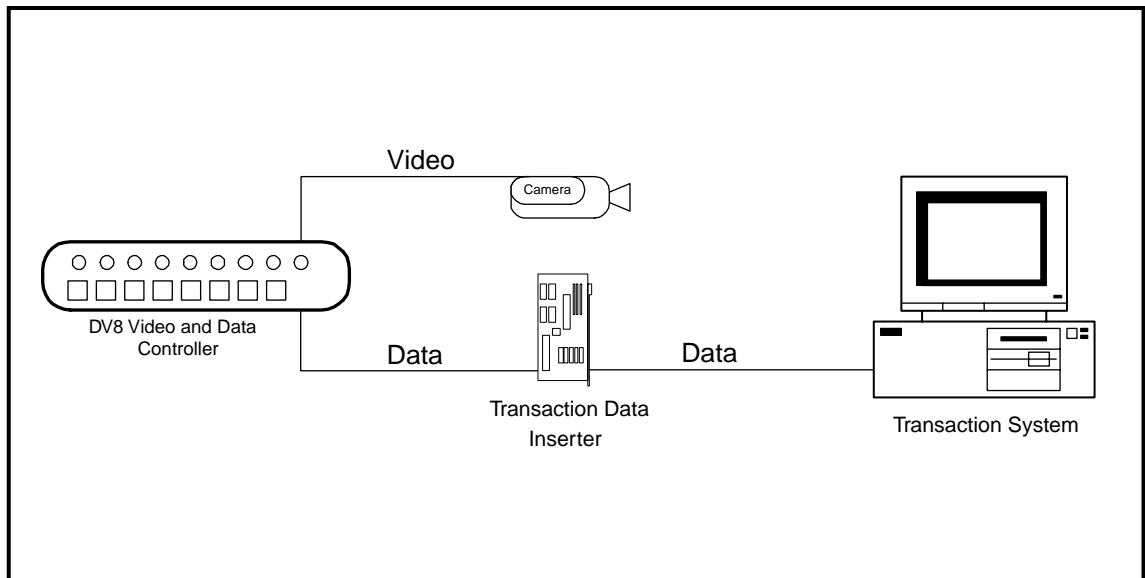
Key Features

- > Captures data from transaction systems for indexing to specific video images
- > Selects specific transaction video camera
- > Provides a one way data link to IRIS DVS
- > Galvanic and optical isolation circuits protect customer transaction systems from any interference from the IRIS DVS
- > Protects network from any connection to IRIS DVS; impossible to read or write data to ATM network
- > Use with wall or ceiling mounted cameras
- > Identical to the unit used in the base of the Tower Camera
- > Flexible mounting system
- > Works with network or dial-up systems
- > Secures and isolates transaction systems from PC interference



It's simple, flexible interface makes the Transaction Data Inserter easy to connect to the transaction system (input) and DVS server (output).

| Number | Model | Remarks |
|--------|---------------------------|----------------------------------------|
| 103-00 | Transaction Data Inserter | One required at each transaction point |



Specifications

| | |
|-------------------|--------------------------------------------------------------------|
| Data Input | 1 Serial, DB-9, 1 Bi-synchronous, RS-232 |
| Data Output | 1 RJ-45; RS-422 |
| Cable Run | 1500 ft. maximum with Cat 5 cable |
| Power Requirement | 9V DC, supplied by DV8 Controller |
| Circuit | Surface applied to reduce crosstalk below -40dB for data isolation |
| Operating Range | -5 to +40C, RH less than 85%, no condensation |
| Dimensions | 1.625" H x 5.125" W x 5.25" D |
| Isolation | Galvanic Optical |